

2750 cRXJ

ARTICULATED CRAWLER LIFT



The next 2750.

A proven platform, now sharper in every dimension.

www.ommelift.com

The proven 2750. Now made smarter.

The 2750 cRXJ is the next generation of Ommelift's 27.5-metre articulated crawler - the lift that operators in rental, facility maintenance and specialist contracting have trusted for years.

We didn't reinvent the machine. We refined it.

The chassis, the reach envelope, the stabilisers - all the elements that made the original 2750 a powerful platform remain intact.

What's new is everything that makes the operator's day faster, safer and easier:

- A new intelligent control system.
- Full wireless operation.
- Slewing over narrow set-up.
- Auto-levelling on slopes up to 21.8° (40%).
- And extra horizontal outreach.

The result is a familiar machine that does more, in more places, with less effort.

Refined where it counts. Proven where it matters. Built to keep working on the sites that built its reputation.



Scan to watch
the 2750 in action

Powerful upgrades that lift every job.

Intelligent wireless control

A new Danfoss-based controller with live diagnostics, simultaneous boom functions, and full wireless operation. The 'c' in cRXJ.

Full rotation in narrow set-up

355° slewing in narrow stabiliser configuration. Confined courtyards and wall-side work no longer mean repositioning.

Drive from the basket

Move the machine from the basket at working heights up to 4 m without deploying stabilizers.

Variable-width undercarriage

Narrow for doorways and gates, wide for open ground.

Auto-levelling

Self-levels on slopes up to 21.8° (40%).

Auto-home and return to work position

A single command returns the boom to transit position at the end of the job.

The new control system

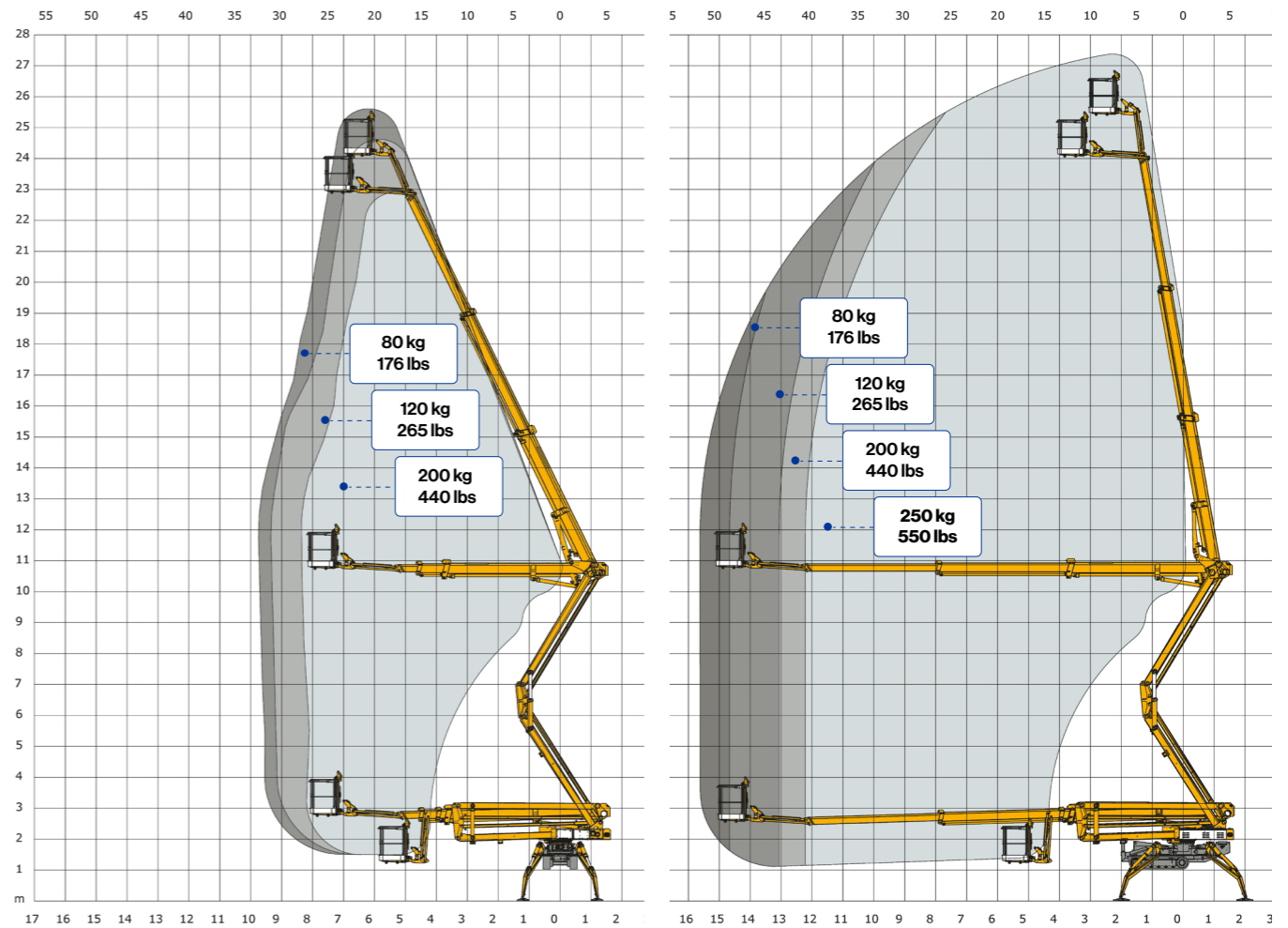
- Wireless remote control with informative display.
- Drive, slew and operate the boom from the basket, the ground, or wherever it gives you the best overview.
- Independent ground controls remain available as backup throughout operation.
- On-board diagnostic report system.
- Auto-home returns the boom to transit position with a single command.



Built to perform. Built to last.

Every dimension of the 2750 cRXJ has been pushed forward, and none of the reliability has been left behind. Six numbers tell you what the lift can do. The platform tells you it will keep doing it.

-  **27.5m**
working height
-  **15.8m**
outreach
-  **355°**
rotation in all positions
-  **250 kg**
basket capacity
-  **5,180 kg**
total weights
-  **21.8° (40%)**
auto-levelling

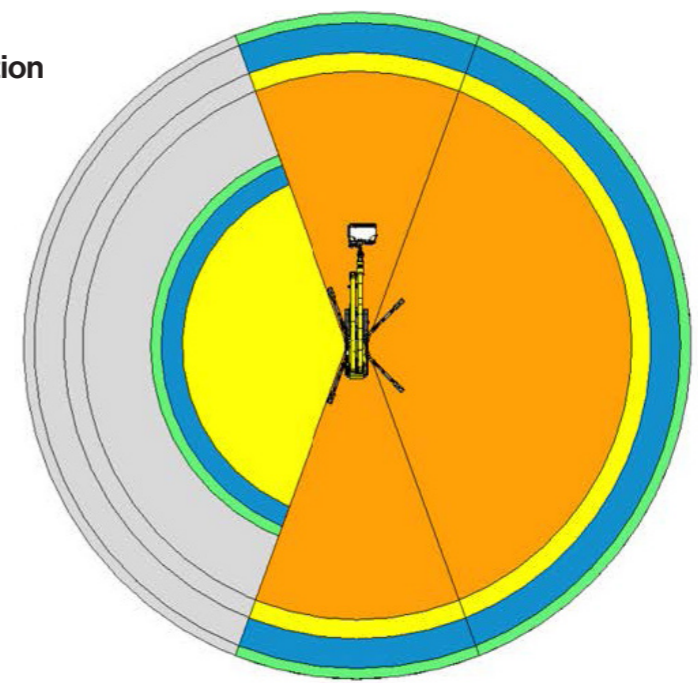


Set up once. Work all the way around.

The working envelope adapts to the stabiliser position. As the boom slews, automatic load-moment sensing retracts it through tighter zones, keeping the full 355° rotation available from any set-up.

Load and outreach Narrow stabilizer position

- 80kg — 9.8m**
165lbs — 32.2ft
- 120kg — 9.4m**
265lbs — 30.8ft
- 200kg — 8.4m**
444lbs — 27.6ft



Load and outreach stabilizer position

- 80kg — 15.8m**
165lbs — 50.8ft
- 120kg — 15.3m**
265lbs — 48.6ft
- 200kg — 13.9m**
444lbs — 43ft
- 250kg — 13.0m**
550lbs — 40ft

The numbers behind the machine.

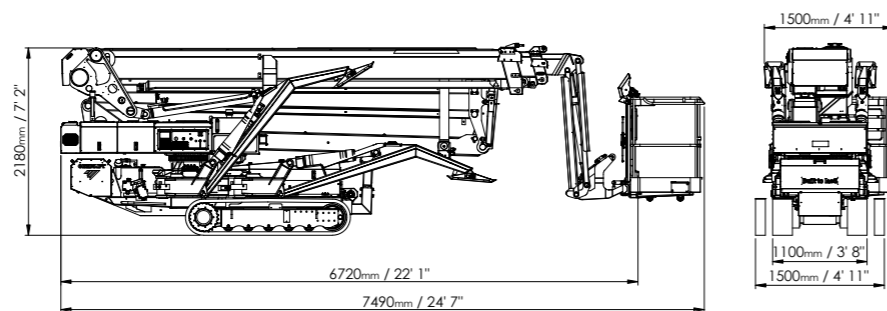
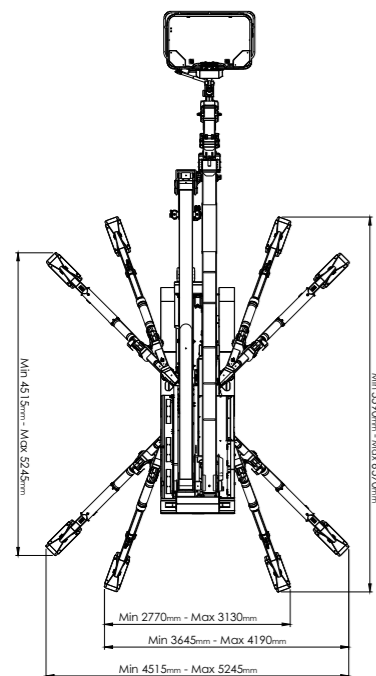


Standard features

- Simple operating system thus easy user instruction
- True battery/diesel (3-cyl.) hybrid system with engine generated recharge
- Variable width undercarriage
- Narrow and wide outrigger positions
- Sliding hinged foot plates with purpose designed anti-scratch boards
- Deployment on 40% slope
- Permanently fixed, large bearing area stabilizer foot plates
- Stabilizer indicators for safe set-up
- Battery discharge indicator and hour meter on elec. motor
- Hour meter on engine
- Proportional controls
- Articulating riser providing vertical wall tracking
- Boom knuckle inside operational width while slewing
- Zero tail-swing beyond stabilizer spread
- Moveable jib
- Grease free hence maintenance free booms
- Telescopic boom cylinder protected underneath main boom
- Telescopic section on frictionless rollers
- Robustly built
- Extensively shielded

Basket features

- Flush mounted
- Detachable with casters
- Elec. power outlet
- Hatch for easy cleaning
- Protective handrail
- Tool trays



Reach & capacity

	2750 cRXBJ	2750 cRXDJ	2750 cRXBDJ
Max. working height	27.5 m	27.5 m	27.5 m
Max. platform height	25.5 m	25.5 m	25.5 m
Max. outreach	15.8 m	15.8 m	15.8 m
Up and over clearance	10.5 m	10.5 m	10.5 m
Angle boom length (boom + basket)	—	—	—
Jib length (jib + basket)	2.7 m	2.7 m	2.7 m
Vertical jib rotation	90°	90°	90°
Turret rotation	± 355°	± 355°	± 355°
Basket rotation	± 50°	± 50°	± 50°
Max. basket load	250 kg	250 kg	250 kg
Basket size (detachable)	1.25 x 0.8 x 1.1 m	1.25 x 0.8 x 1.1 m	1.25 x 0.8 x 1.1 m
Stabilizer pad size	0.23 x 0.44 m	0.23 x 0.44 m	0.23 x 0.44 m

Power configuration

	BATTERY	DIESEL	6HYBRID
Engine	—	18.5kW/24.8hp	18.5kW/24.8hp
Fuel tank capacity	—	30 l	30 l
Generator	—	24 V / 22 A	24 V / 22 A
Battery pack	24V/360Ah/5h - AGM	—	24V/180Ah/5h - AGM
Charger	24 V / 30 A	—	24 V / 30 A
Double charger system	Standard	—	Optional
Elec. descent from basket	—	Standard	—

Mobility, weights & loads

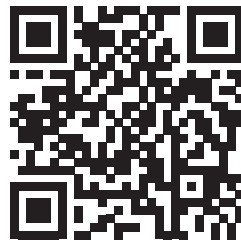
Gradeability, max. accross slope	¹ Wide 35% (19.3°)
Gradeability, max. up and down slope	35% (19.3°)
Set-up ability on uneven ground	30% (16.7°) Max. chassis inclination ± 1°
Crawler track length	1.92 m

	¹ Undercarriage in Wide	² Undercarriage in Narrow	³ Wide set-up	⁴ Wide/Narrow set-up
Total weight	5440 kg	5180 kg	5180 kg	5180 kg
¹ Live load in transit position	470 kg/m ²	470 kg/m ²	470 kg/m ²	470 kg/m ²
² Live load in transit position	565 kg/m ²	565 kg/m ²	565 kg/m ²	565 kg/m ²
³ Live load in working position	258 kg/m ²	258 kg/m ²	258 kg/m ²	258 kg/m ²
⁴ Live load in working position	318 kg/m ²	318 kg/m ²	318 kg/m ²	318 kg/m ²
Ground pressure, tracks (Hard surface)	0.79 kg/cm ² (2.50 kg/cm ²)	0.79 kg/cm ² (2.50 kg/cm ²)	0.79 kg/cm ² (2.50 kg/cm ²)	0.79 kg/cm ² (2.50 kg/cm ²)
Ground pressure, outrigger pad	3.06 kg/cm ²	3.06 kg/cm ²	3.06 kg/cm ²	3.06 kg/cm ²
Max. force, outrigger	31.0 kN	31.0 kN	31.0 kN	31.0 kN

03.26 Subject to change without notice. Data, dimensions and features are indicative and not binding

Want to know more about the 2750 cRXJ?

Scan the code to get in touch. We're happy to meet at your location
in Denmark, or welcome you to our factory in Sdr. Omme.



SCAN ME

Find more information and your local dealer on
www.ommelift.com

OMME LIFT A/S | Lægårdsvej 4 | DK-7260 Sdr. Omme
CVR nr. 1392 7634 | Phone: +45 75341300 | E-mail: omme@ommelift.dk